

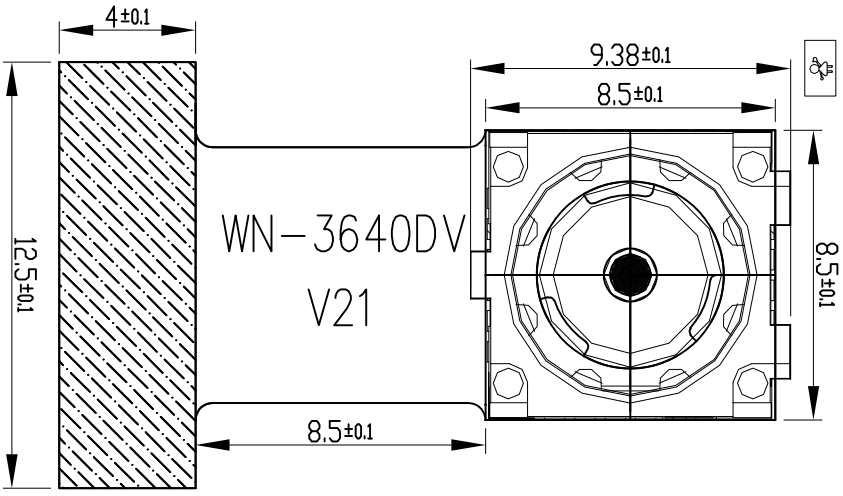
ROHS

CONNECTOR
24PIN DESCRIPTION

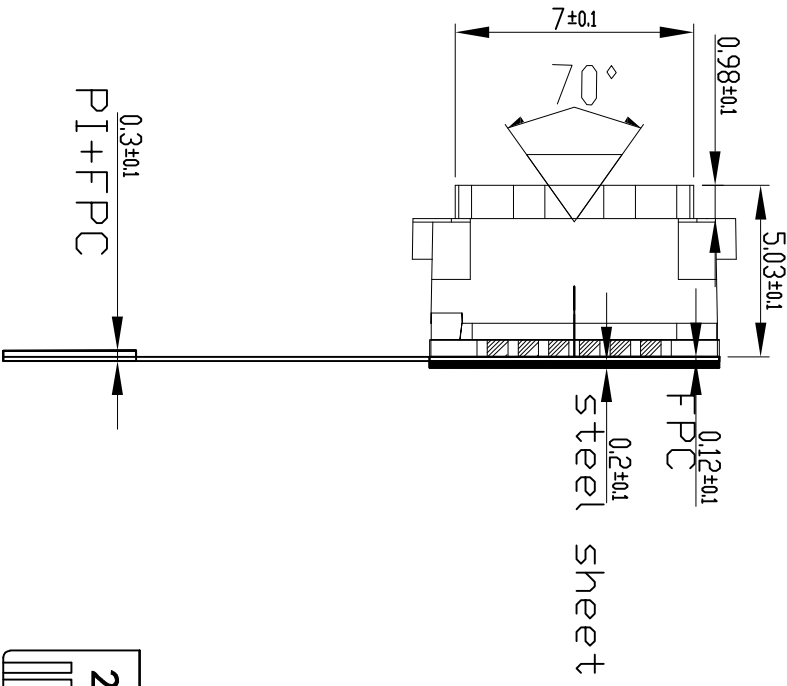
NO.	
1	STROBE
2	AGND
3	SDA
4	AVDD
5	SCL
6	RESET
7	VYSNC
8	CMPDNF
9	HSYNC
10	DVDD
11	DOVDD
12	D7
13	MCLK
14	D6
15	DGND
16	D5
17	PCLK
18	D4
19	D0
20	D3
21	D1
22	D2
23	NC
24	NC

Direction
Capture

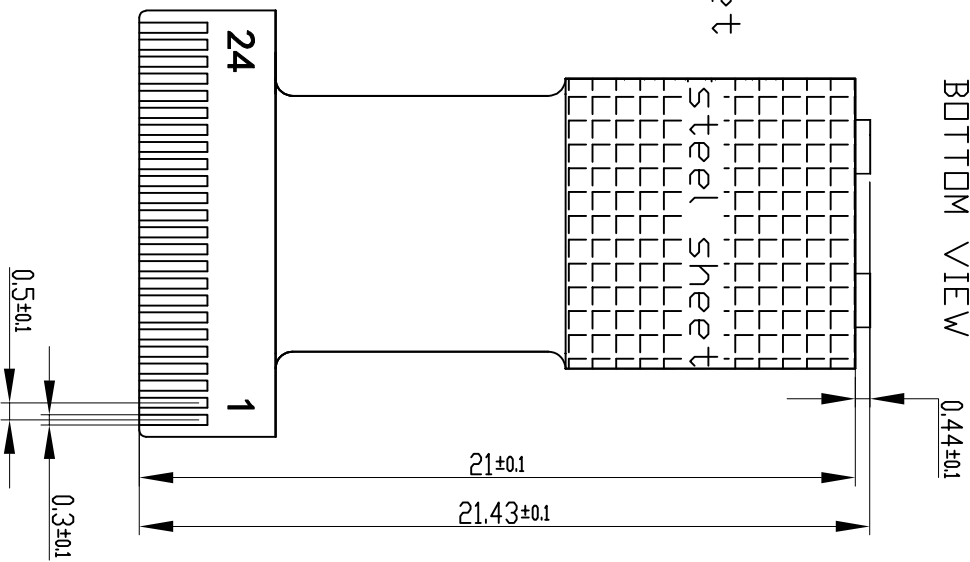
TOP VIEW



SIDE VIEW



BOTTOM VIEW



Lens parameter

EFL	3.4MM	Array Size	2048*1536
F.NO	2.8±5%	Lens Size	1/4inch
View Angle	70°	DVDD	1.8V
Distortion	< 1.0%	AVDD	2.8V
Type	OV3640	DOVDD	1.8V
Lens		Connector	FH12-30S-0.5SH

Weinan Electronics Co., Ltd.

WN-3640DM V21

图名	5640A	版本	V20	尺寸	A4
单位	mm	页数	1/1	页码	1
设计		审核		生效日期	