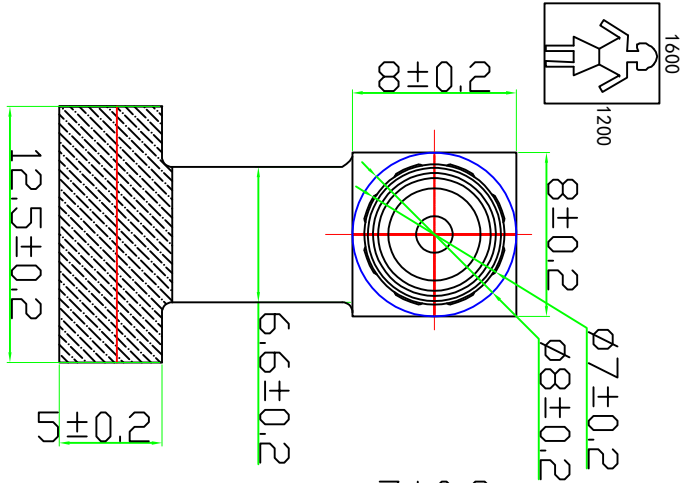


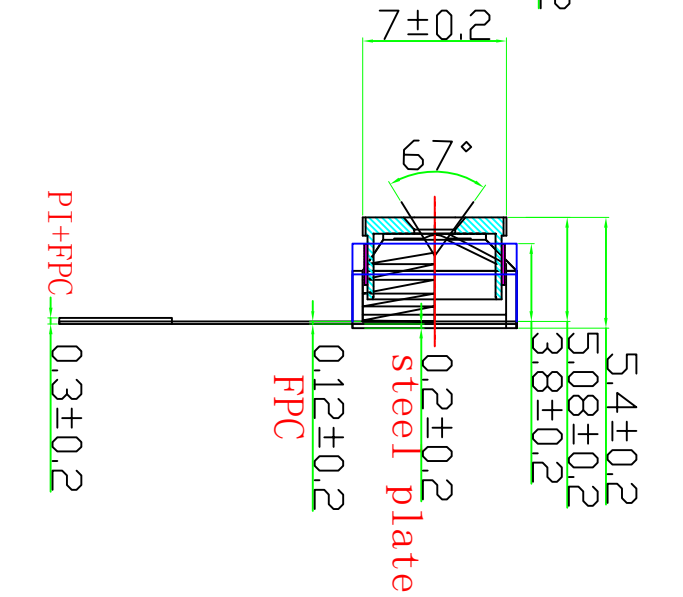
CONNECTOR  
24PIN DESCRIPTION

A	NO.	
1	NC	
2	AGND	
3	SDA	
4	AVDD2.8	
5	SCL	
6	RESET	
7	VSYNC	
8	PWDN	
9	HSYNC	
10	DVDD1.3	
11	DOVDD2.8	
12	Y9	
13	MCLK	
14	Y8	
15	DGND	
16	Y7	
17	PCLK	
18	Y6	
19	Y2	
20	Y5	
21	Y3	
22	Y4	
23	D1	
24	D0	

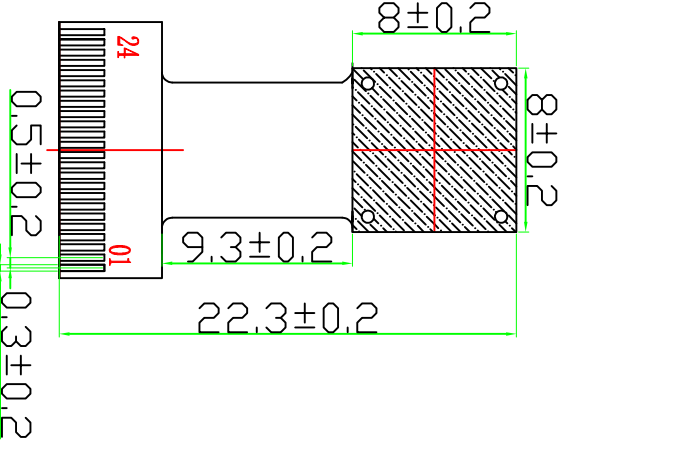
Top view



Side view



Bottom view



Module Specification

LENS TYPE	4P+650LR	Sensor Type	OV2640
CONSTRUCTION	3.43	Pixel Size	2.2um*2.2um
EPD	2.8	Active pixel array	1600X1200
F NO.	DIR07:67°	Optical Format	1/4 Inch
FVW	<1%		
Distortion			

Shenzhen Weinan Electronics Co., Ltd.

TITLE :	WN-2640-V1.0	TREATMENT :	
MATERIAL :		SCALE :	1:1
UNSPECIFIED TOL :		DMN. BY :	
.XXX	0.05	CHK. BY :	
.XX	0.05	DMG. NO. :	
.X	0.1	CAD NO. :	
±	0.5°		

ALL DIMENSION IN MM	REMOVE ALL BURRS	DO NOT SCALE	SHEET OR
	BREAK SHARP EDGES		P1/1 A4

Date	Rev.	Sym.	Revisions	Signed
2022-10-30	A			