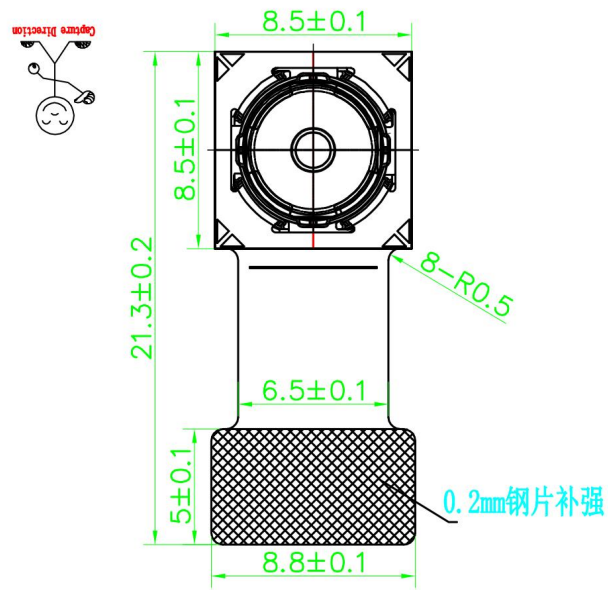
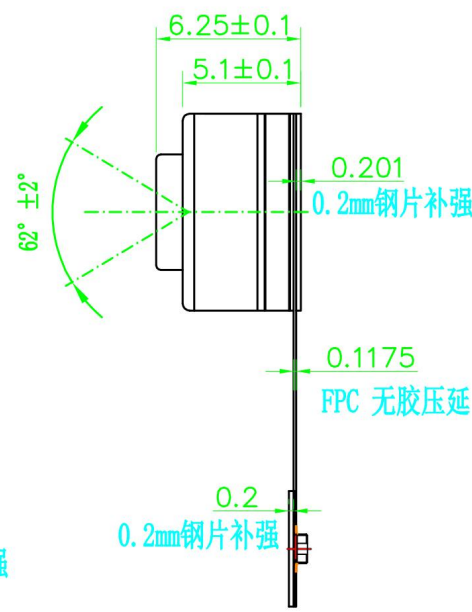


更改: REV:	日期: DATE:	说明: DESCRIPTION:	修改: ENG:	审核: Approved:
△				
△				
△				

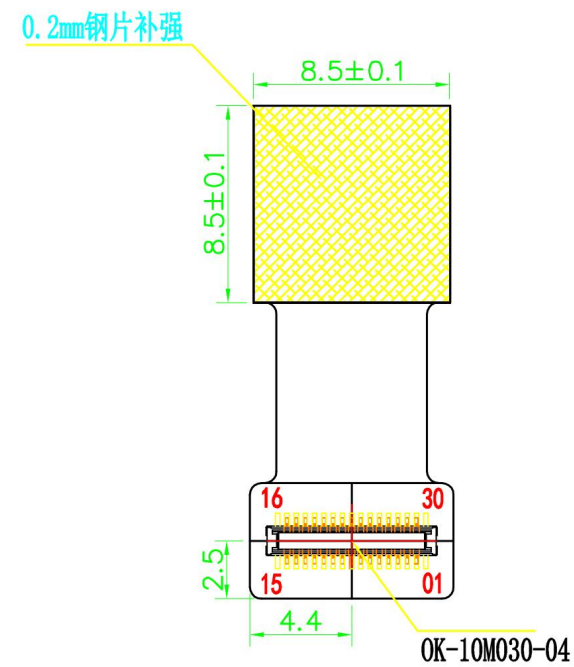
TOP VIEW



SIDE VIEW



BOTTOM VIEW



驱动IC: DW9714

CONNECTOR
30PIN DESCRIPTION

NO.	SYMBOL
1	XCLK
2	GND
3	MDPO
4	MDNO
5	GND
6	MDN1
7	MDP1
8	GND
9	MCN
10	MCP
11	GND
12	AF_VDD
13	AF_GND
14	AVDD
15	AGND
16	DVDD
17	DOVDD
18	GND
19	SCL
20	SDA
21	XCLR (PWDN)
22	NC
23	NC
24	GND
25	MDP3
26	MDN3
27	GND
28	MDN2
29	MDP2
30	GND

性能参数

项目	参数	项目	参数
感光芯片 (Image sensor)	IMX179 PLCC	镜头结构 (Lens Construction)	5P
像数 (Active Pixels)	3280*2464	视场角 (View Angle)	62° ±2°
Analog	2.7V	光圈 (F/No.)	2.2
I/O	1.8V	焦距 (Focal Length)	3.64
Core	1.2V	畸变 (TV Distortion)	>=1%

Requirement of huabang Part
 1. Comply with huabang Green Product Chemical Substances Specification
 2. Follow customer specification as required
 3. Flow halogen Free requirement: Br<900 ppm Cl<900ppm Br+Cl <1500 ppm as required

深圳市纬南电子有限公司
Shenzhen Weinan Electronics Co., Ltd.

Select:		V	
Level Dim:	A	B	C
0-5	+/-0.03	+/-0.05	+/-0.08
5-10	+/-0.05	+/-0.08	+/-0.10
10-50	+/-0.08	+/-0.10	+/-0.15
50-100	+/-0.10	+/-0.15	+/-0.2
100~	+/-0.1%	+/-0.15%	+/-0.2%

Model name:
XIFT-317-876A-179

Version:
版本: A

Draw by:
制图:
Date:
时间: 2018-05-31

Approved by:
确认:
Date:
时间:

Projection:

Unit:
单位: mm
Scale:
比例: 1:1