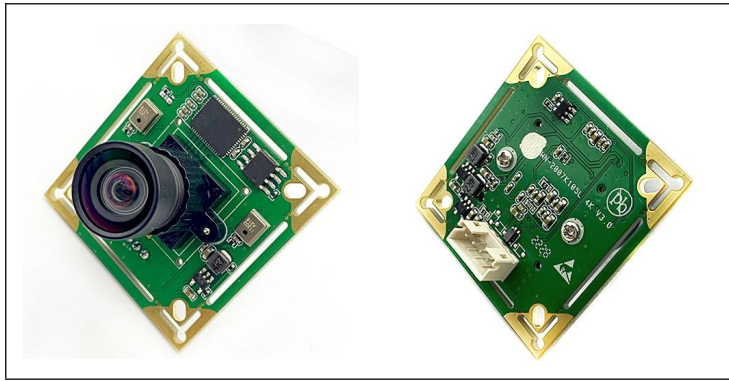


8MP 4K USB2.0 Camera Module Specifications



1. Main Parameters

Product Name	8MP 4K USB2.0 Camera Module
Product Code	WN-L2007L.KI05L
Module Size	38*38mm
Image Sensor	1/2.5-inch IMX317 CMOS Sensor
Max. Resolution	3840 H x 2160 V
Pixel Size	1.62*1.62μm
Output Format	MJPEG, YUY2
Field of View	112°
Lens	EFL: 2.8mm, F/No: 2.4, 4G2P+IR 650nm
Audio Input	Digital Microphone
Focus Mode	Fixed Focus/ Manual Focus
Shutter Mode	Electronic Rolling Shutter
Dynamic Range	Up to 69dB
Output & Power Supply	High Speed USB2.0
Interface	4PIN 2.0mm Connector
Controllable Parameters	Brightness, Contrast, Saturation, Hue, Sharpness, Gamma, White Balance, Backlight Contrast, Exposure
Supported OS	UVC-compliant, Plug and Play for Windows, Android, Linux, Mac OS, etc.
Connection Cable	Default 1.0 Meter USB Cable

2. Supported Resolutions and Frame Rates

Formats	Resolutions	Frame Rates
MJPEG	3840x2160	30FPS
	2952 x1944	30FPS
	2548x1536	30FPS
	1920x1080	30FPS
	1280x720	30FPS
	640 x480	30FPS
YUY2	3840x2160	2FPS
	2952x1944	30FPS
	2548x1536	5FPS
	1920x1080	10FPS
	1280x720	30FPS

3. PIN Definitions

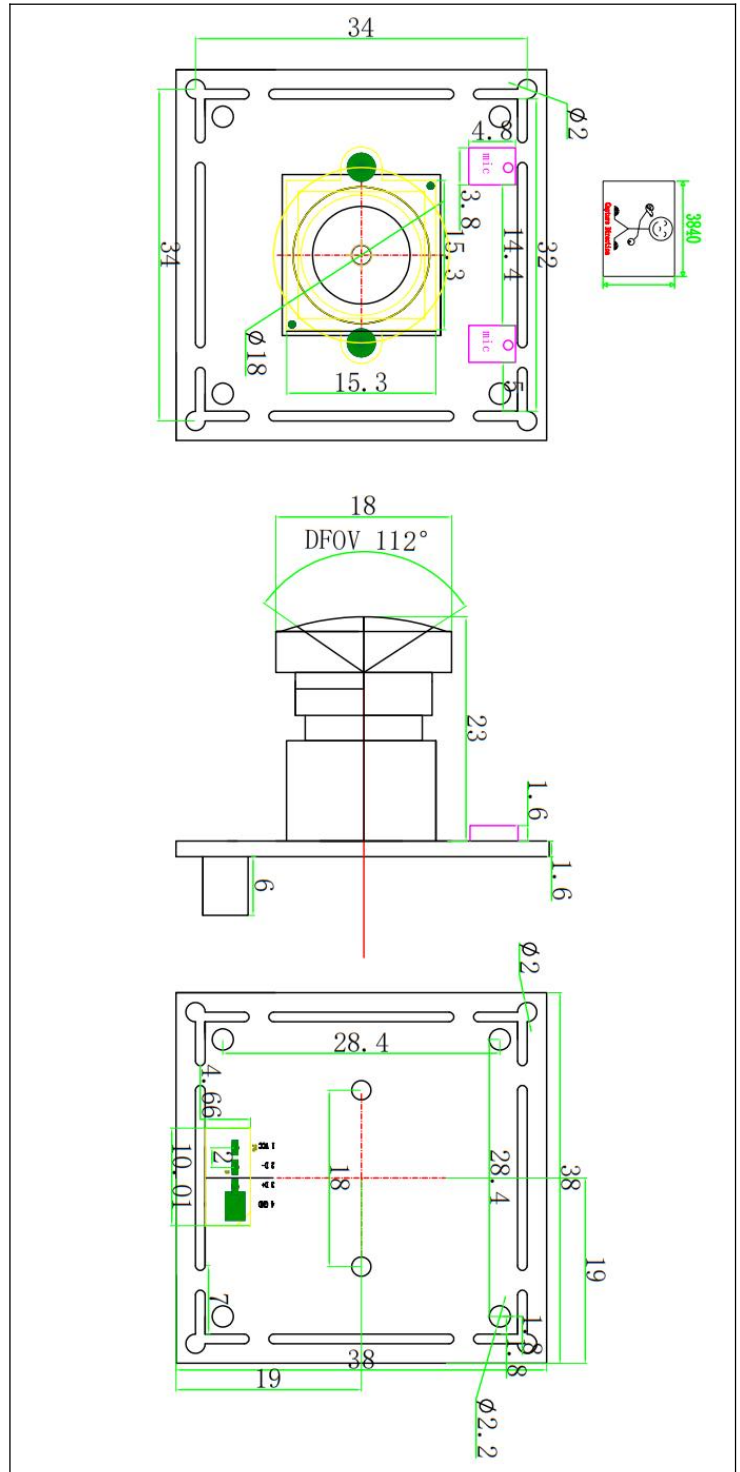
Pin No.	Signal Names	Descriptions
---------	--------------	--------------

1	VCC	DC 5V
2	DM	USB2.0 Data-
3	DP	USB2.0 Data+
4	GND	Ground

4. Working Conditions

Working Voltage	DC 5V
Working Current	260mA
Working Temperature	-20°C ~ 60°C
Storage Temperature	-20°C ~ 85°C
Humidity	80 ~85%

5. Shape and Dimensions (Unit: mm)



Shenzhen Weinan Electronics Co.,Ltd.

Building 2, Baoke Industrial Park, Longhua, Shenzhen, Guangdong, China

Tel: +86 0755 27526467

E-mail: sales@weinanelectronics.com

<https://www.weinanelectronics.com>