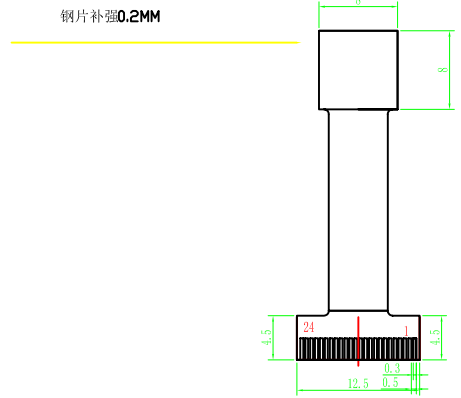
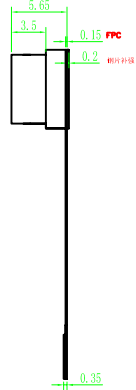
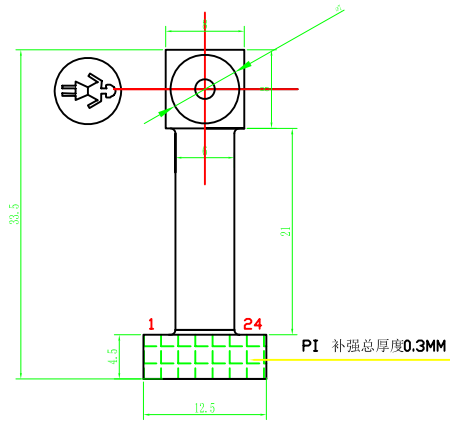


Date	Rev.	Sym.	Revisions	Signed
2014-08-30	A			

CONNECTOR
24PIN DESCRIPTION

NO.	
1	NC
2	AGND
3	SDA
4	AVDD
5	SCL
6	RESET
7	VSYNC
8	CMPDNB
9	HSYNC
10	DVDD
11	DOVDD
12	Y9
13	MCLK
14	Y8
15	DGND
16	Y7
17	PCLK
18	Y6
19	Y2
20	Y5
21	Y3
22	Y4
23	Y1
24	Y0



用OV9712传感器

Lens parameter			
		像素 (Array Size)	
		镜头类型 (Lens Size)	1/4 inch
视场角 (View Angle)		数字电压 (DVDD)	1.8V±10%V
畸变 (Distortion)		模拟电压 (AVDD)	2.80V-3.30V
景深 (Focusing Range)	20cm -0.6m(AT0.6M)	接口电压 (DOVDD)	2.80V-3.30V

ITEM	PART NAME	DWG NO.	QTY	MATERIAL REMARK
深圳市纬南电子有限公司				
TITLE :				SCALE : 1:1
MATERIAL :			TREATMENT :	
UNSPECIFIED TOL :		DWN. BY :		PROJECT NO. :
.XXX ± 0.005			CHK. BY :	DWG NO. :
.XX ± 0.05			APP. BY :	CAD NO. :
.X ± 0.1				
∠ ± 0.5°				
ALL DIMENSION IN MM		REMOVE ALL BURRS	DO NOT SCALE	SHEET OF
		BREAK SHARP EDGES		P1/1
				A4