

NOTE 1 The unmarked tolerance of linear dimension is $\pm 0.1\text{mm}$

2 SENSOR: GC6153

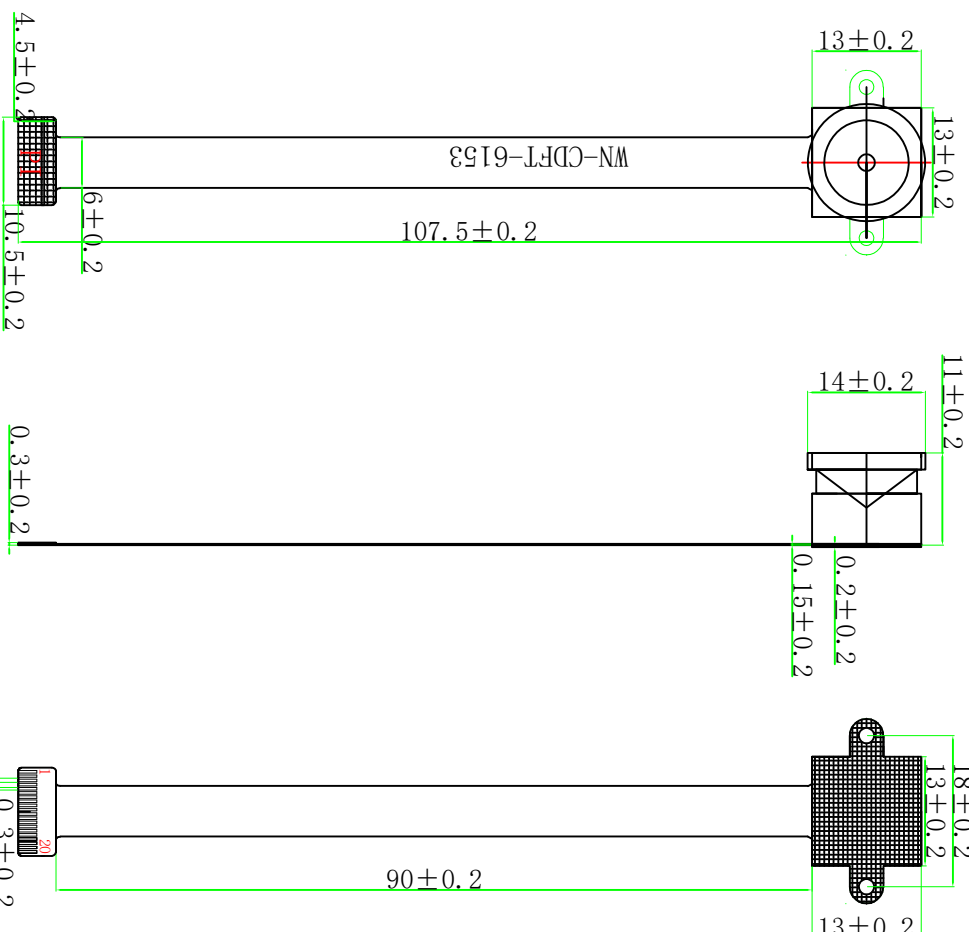
3 Image direction register use default settings.

TOP VIEW

SIDE VIEW

BOTTOM VIEW

CONNECTOR
20PIN DESCRIPTION



NO.	DESCRIPTION
1	GND
2	SDA
3	SCL
4	NC
5	PWDN
6	MCLK
7	GND
8	PCLK
9	VDD28
10	D0
11	GND
12	NC
13	NC
14	NC
15	NC
16	NC
17	NC
18	NC
19	NC
20	NC



Shenzhen Weinan Electronics Co., Ltd.

4	Lens Specification
3	FOV (D)
2	TV Distortion
1	F. Number
NO.	CHANGE

TITLE	CMOS	Camera Module	SHEET	1	OF	1	SIZE	A4
DRAWING								
CHECKED								
APPROVED								

NO.	CHANGE	NAME	APPROVED	WEIGHT	Material
1					
2					
3					
4					
NO.	CHANGE	NAME	APPROVED	WEIGHT	Material

Part Name: WN-CDFT-6153

Customer P/N